

X-TIME
WORK
design office



MELAMINE TOPS

38mm easy to clean scratch-resistant anti-reflective melamine faced chipboard (MFC) tops (30mm for meeting tables) finished with 2mm matching straight ABS impact resistant edges.
 Panel density: 670/730 kgs per cubic meter

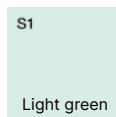
Finish options:



GLASS TOPS

12mm back-painted tempered safety glass tops finished with 1.5mm 45° polished edges, 30mm radiused corners. Portholes include painted Abs grommets.

Finish options:



MELAMINE FRAMES



STOP

"STOP" panel end leg made from 38mm easy to clean scratch-resistant anti-reflective melamine faced chipboard (MFC) finished with 2mm matching straight ABS impact resistant edges, melamine top and bottom edges. Panel density: 670/730 kgs per cubic meter. ABS caps on all four corners in an aluminium finish:
 The angled structural modesty panel linking the two panel end legs together is available in:
 18mm easy to clean scratch-resistant anti-reflective melamine faced chipboard (MFC)
 1mm epoxy powder coated perforated steel sheet metal.

Finish options:



METAL FRAMES

"NEXT" steel tubular leg frame, 1mm perforated steel sheet metal structural modesty panel, epoxy powder coating.
 "RING" loop leg frame made from epoxy powder coated steel tube.

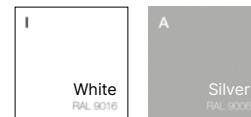


NEXT



RING

Finish options:



GLASS EXTENSION

Made from 12mm tempered back painted glass in a light green finish. 1.5mm 45° smooth polished edges, 10mm radiused corners. Supported on a ø100mm epoxy powder coated steel tubular leg.

STATIC SUPPORTING PEDESTAL UNDER RETURN UNIT

3-drawer + pen drawer or 1-drawer + 1-file drawer + pen drawer pedestal. Supported on fixed legs. Central locking with two safety folding keys. Carcass and drawer fronts made from 18mm easy to clean scratch-resistant anti-reflective melamine faced chipboard MFC. Perforated curved back made from epoxy powder coated steel sheet metal. Drawer boxes made from PVC faced chipboard or alternatively fabricated in steel sheet metal. Optional soft close.

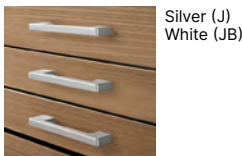
MOBILE COMBINATION UNIT

Carcass and drawer fronts made from 18mm easy to clean scratch-resistant anti-reflective melamine faced chipboard (MFC) finished with 2mm matching ABS impact resistant edges. Four ø75mm twin wheel swivel castors. Perforated curved back made from epoxy powder coated steel sheet metal.

CPU section with pocket door features anti-corrosion treated metal hinges allowing 95° door opening as well as 2mm zinc plated sheet metal ball bearing runners enabling the door to slide inside.

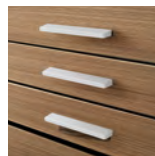
Pedestal available with 3 drawers + pen drawer or with 1 drawer + 1 file drawer + pen drawer. Central locking with two safety folding keys. Drawer boxes made from PVC faced chipboard or alternatively fabricated in steel sheet metal. Optional soft close.

Standard handle in ABS
Look



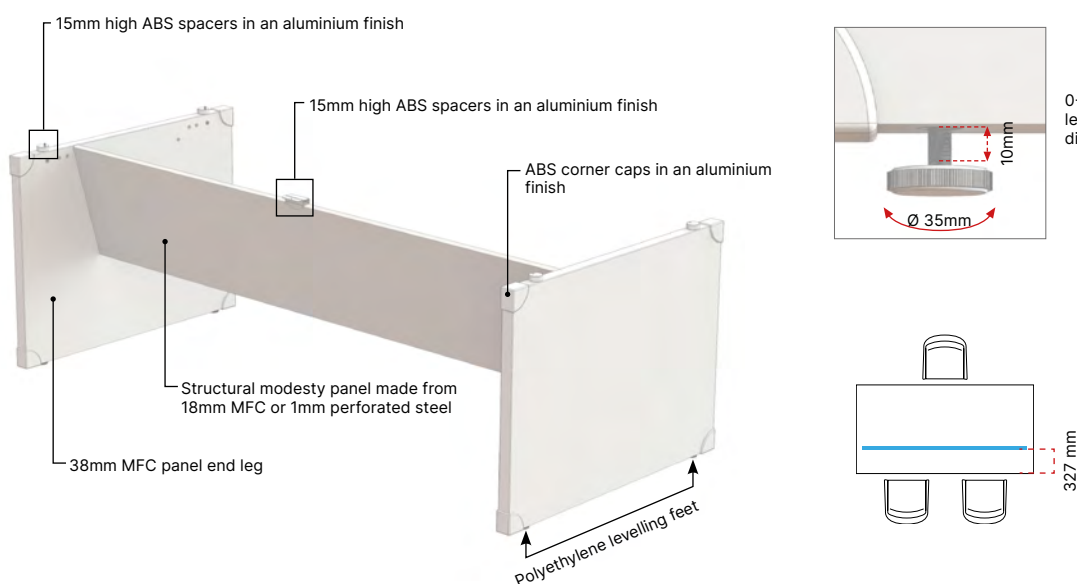
Silver (J)
White (JB)

Metal handles are optional extras
Zen

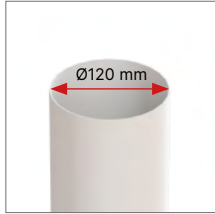
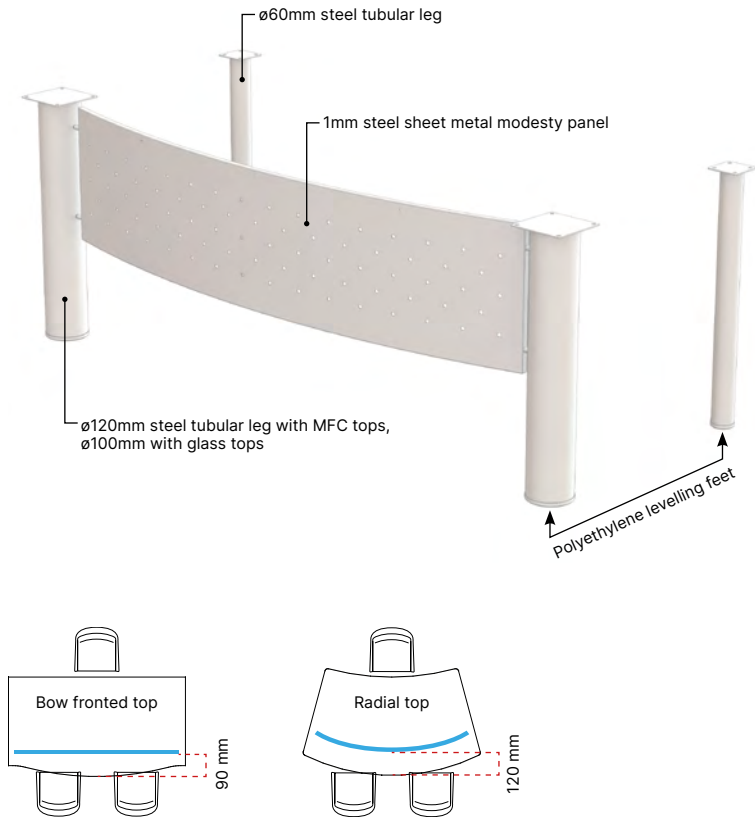


Silver (Z)
White (A)
Chrome (Y)

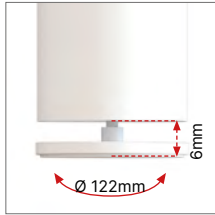
DESK WITH "STOP" LEG FRAME



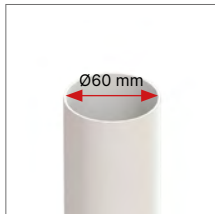
DESK WITH "NEXT" LEG FRAME



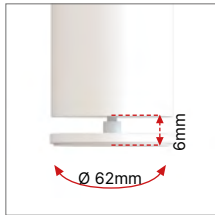
Next large tubular leg made from 1.5mm ø120mm circular steel tube



0-6mm polyethylene levelling feet, 122mm diameter

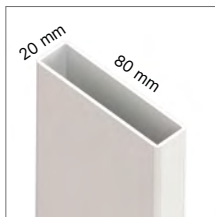
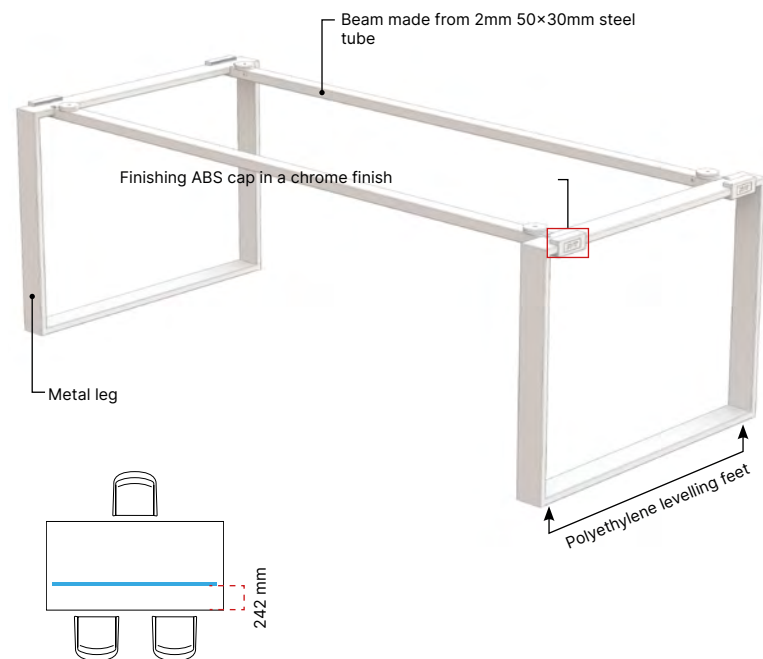


Next small tubular leg made from 1.5mm ø60mm circular steel tube

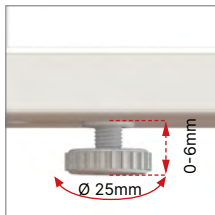


0-6mm polyethylene levelling feet, 62mm diameter

DESK WITH "RING" LEG FRAME



"Ring" leg made from 2mm 80x20mm steel tube.



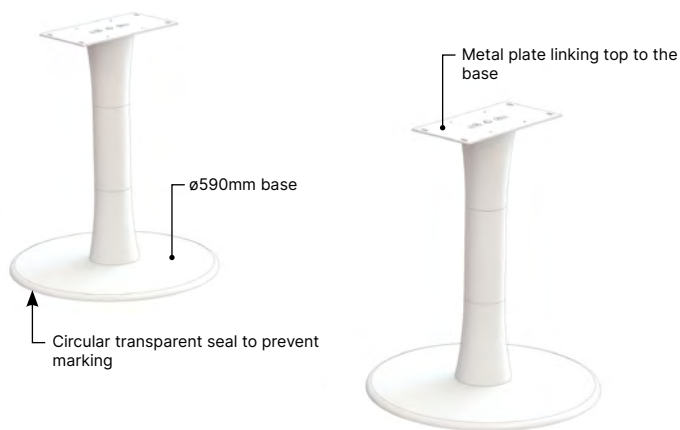
0-6mm polyethylene levelling feet, 25mm diameter.

MEETING TABLES

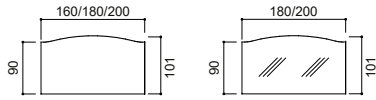
TRUMPET BASE LEG

Column made from cone-shaped steel tube (140mm max dia, 100mm min dia) and a Ø590mm 6mm steel molded base. Steel plate linking top to the base. All parts supplied with epoxy powder coating.

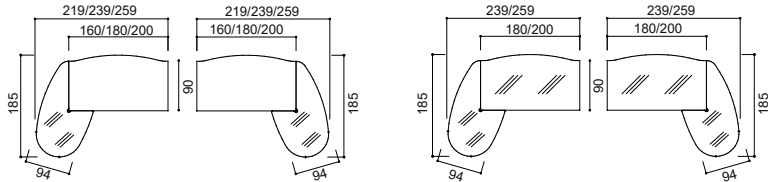
Finish options:



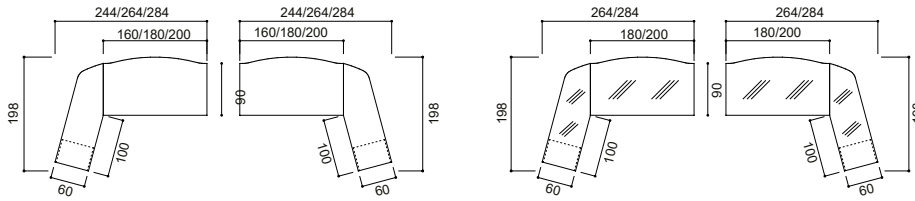
DESKS



DESKS WITH EXTENSION

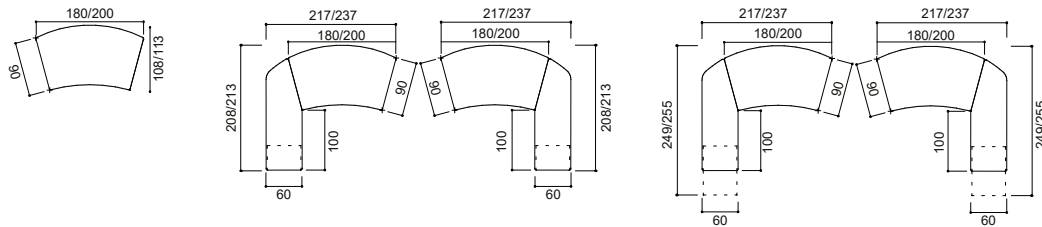


DESKS WITH RETURN SUPPORTED ON PEDESTAL

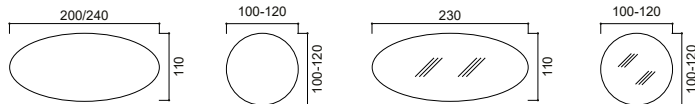


DESKS WITH RADIAL TOP IN MFC/GLASS

(Next)



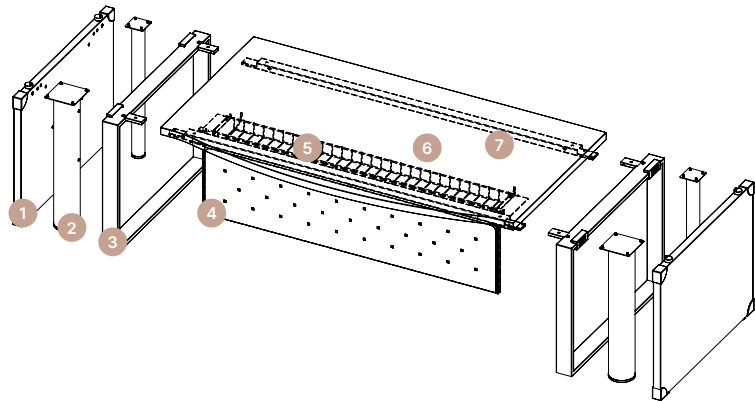
MEETING TABLES



DESKS

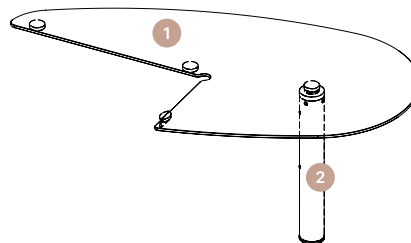
DESKS

- 1) Stop leg
- 2) Next leg
- 3) Ring leg
- 4) Structural modesty panel for Stop and Next legs / optional non-structural modesty panel for Ring leg
- 5) Cable basket for Ring leg (optional extra)
- 6) 38mm MFC top or 12mm glass top
- 7) Beams linking Ring legs together



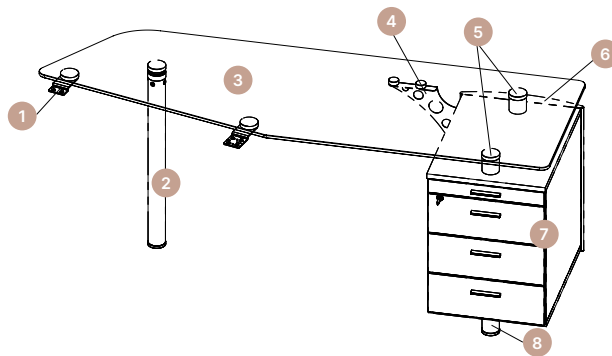
GLASS EXTENSION

- 1) 12mm tempered glass top
- 2) ø100mm tubular leg



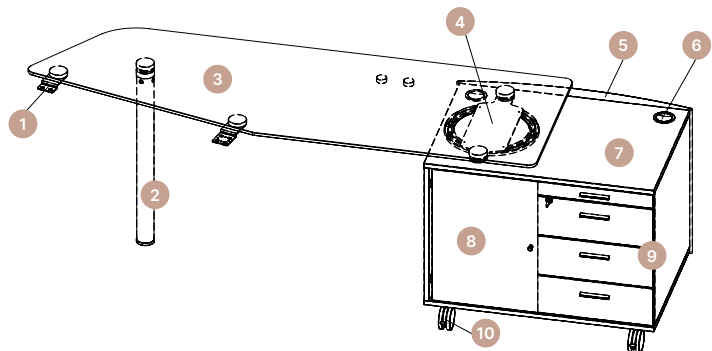
RETURN UNIT SUPPORTED ON PEDESTAL

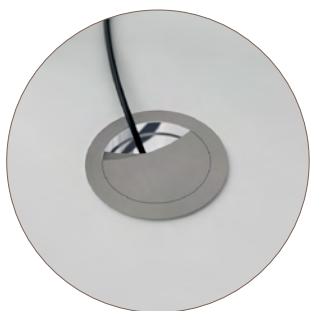
- 1) Brackets linking return top to desktop
- 2) ø60mm tubular leg
- 3) 38mm MFC top or 12mm glass top
- 4) Bracket to increase stability
- 5) Spacers
- 6) Perforated back made from steel sheet metal
- 7) Static 3-drawer + pen drawer pedestal
- 8) Pedestal feet



RETURN UNIT SUPPORTED ON COMBINATION UNIT

- 1) Brackets linking return top to desktop
- 2) ø60mm tubular leg
- 3) 38mm MFC top or 12mm glass top
- 4) Swivel linking bracket
- 5) Perforated back made from steel sheet metal
- 6) ø60mm cable ports
- 7) Combination unit
- 8) CPU section with pocket door
- 9) 3-drawer + pen drawer pedestal
- 10) ø75mm swivel castors





ø60mm ABS grommet



Cable flap with cable tray under



Metal cable tray for fitting to the modesty panel



MFC modesty panel for Ring leg frame desks



Metal modesty panel for Ring leg frame desks



Cable basket for Ring leg frame desks



MATERIALS AND RECYCLABILITY

MFC panels used for X-Time Work range tables are solely manufactured with 100% recycled wood and fully meet requisites of formaldehyde low emissions (CARB Quality Award CATAS Certificate). Rasins used for panels and melamines are free of SVHC substances (to be found in the ECHA list updated as of 12/01/2017).



CERTIFICATES

Constantly receptive to market requirements, Quadrifoglio Sistemi d'Arredo pay special attention on quality and safety contents in order to provide high products and services. The Company has reached certifications UNI EN ISO 9001/2015, UNI EN ISO 14001/2015 and UNI EN ISO 45001/2018 to confirm his policy. Our products are certified and ensured by FSC™ and ECOLOGICAL PANEL.

COMPANY WITH
MANAGEMENT SYSTEM
CERTIFIED BY DNV
ISO 9001 • ISO 14001
ISO 45001



GREEN ENERGY

The Company had installed the photovoltaic system with 4.500 solar panels in a 7.350 m² surface that covers almost entirely the factory. The photovoltaic is able to produce 1Mw of a quiet green energy, that does not harm the environment and is waste-free. With his high production capacity the photovoltaic allows us to reduce emissions in the atmosphere of all those polluting substances and to those that contribute to the greenhouse effects. Consequently, such measures make us save every year 180 tonne of petrol oil, 440 tonne of CO₂, 514kg of sulphur dioxide, 448 kg of nitrogen oxide and 23kg of dust.



TRANSPORT

Packaging is reduced in order to decrease volumes. Goods collections are responsibly managed and organised with the aim of optimise transports, reducing atmosphere emissions.