

DUNE

MID BACK CHAIR



Code ODUNEB01

DESCRIPTION

Mid back presidential armchair

NOTE

65mm wheel brake in hard, soft or ring

SPECIFICATIONS

STRUCTURE

Steel rod and plate

MECHANISM

MEC01 - Aluminum block with control for seat elevation painted black - Made in Italy

MEC02 - Tilt - Anti-shock device - Weight adjustment - Made in Italy

MEC18 - Harmonic tilt mechanism - Made in Italy

MEC03 - Knee tilt - Anti-shock device - 6 positions - Side weight adjustment - Made in Italy

PADDING

Seat: Sectioned polyurethane foam - thickness 50 mm, density 40 Kg/m3 indeformabile

Backrest: injection molded polyurethane foam padding - thickness ranging from 30 to 60 mm , ds 60 Kg/m3

SHELL AND ARMS

Injection molded polyurethane foam padding ds50kg/m3

LEGS / FRAME / BASE

Polished die-cast aluminum base 700mm

UPHOLSTERY

Categories B01-B03-C01-C05-D02-D03-D04-D06-E01-E02-P01

(see "FINISHING COLLECTION" folder)

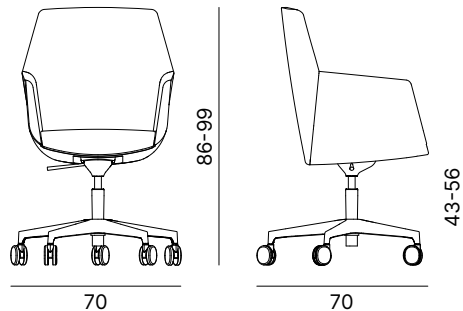
SIZE

Dimensions in millimeters

chair
L 700 H 860-990 D 700

seat
L 470 H 430-560 D 480

backrest
L 500 H 460



WEIGHT

Net weight a chair: 13 Kg
Gross weight a chair: 16 Kg

PACKAGING

1 x completely assembled box
L 710 H 710 D 1010

VOLUME

M3 package: 0,5

DUNE

HIGH BACK CHAIR

Code ODUNEA01

DESCRIPTION

High back presidential armchair

NOTE

65mm wheel brake in hard, soft or ring



SPECIFICATIONS

STRUCTURE

Steel rod and plate

MECHANISM

MEC01 - Aluminum block with control for seat elevation painted black - Made in Italy

MEC02 - Tilt - Anti-shock device - Weight adjustment - Made in Italy

MEC18 - Harmonic tilt mechanism - Made in Italy

MEC03 - Knee tilt - Anti-shock device - 6 positions - Side weight adjustment Made in Italy

PADDING

Seat: Sectioned polyurethane foam - thickness 50 mm, density 40 Kg/m3 indeformabile

Backrest: injection molded polyurethane foam padding - thickness ranging from 30 to 60 mm , ds 60 Kg/m3

SHELL E ARMS

injection molded polyurethane foam padding ds50kg/m3

LEGS / FRAME / BASE

Polished die-cast aluminum base 700mm

UPHOLSTERY

Categories B01-B03-C01-C05-D02-D03-D04-D06-E01-E02-P01

(see "FINISHING COLLECTION" folder)

SIZE

Dimensions in millimeters

chair

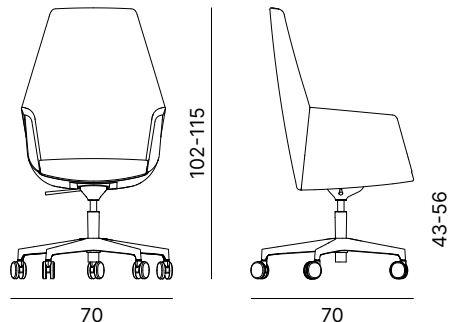
L 700 H 1020-1150 D 700

seat

L 470 H 430-560 D 480

backrest

L 500 H 620



WEIGHT

Net weight a chair: 14 Kg

Gross weight a chair: 18 Kg

PACKAGING

1 x completely assembled box

L 710 H 710 D 1190

VOLUME

M3 package: 0,6

DUNE

HIGH BACK CHAIR WITH HEADREST

Code ODUNEP01



DESCRIPTION

High back presidential armchair with headrest

NOTE

65mm wheel brake in hard, soft or ring

SPECIFICATIONS

STRUCTURE

Steel rod and plate

MECHANISM

MEC01 - Aluminum block with control for seat elevation painted black - Made in Italy

MEC02 - Tilt - Anti-shock device - Weight adjustment - Made in Italy

MEC18 - Harmonic tilt mechanism - Made in Italy

MEC03 - Knee tilt - Anti-shock device - 6 positions - Side weight adjustment - Made in Italy - Made in Italy

PADDING

Seat: Sectioned polyurethane foam - thickness 50 mm, density 40 Kg/m3 indeformabile

Backrest: injection molded polyurethane foam padding - thickness ranging from 30 to 60 mm , ds 60 Kg/m3

SHELL E ARMS

Injection molded polyurethane foam ds50kg/m3

LEGS / FRAME / BASE

Polished die-cast aluminum base 700mm

UPHOLSTERY

Categories B01-B03-C01-C05-D02-D03-D04-D06-E01-E02-P01
(see "FINISHING COLLECTION" folder)

SIZE

Dimensions in millimeters

chair

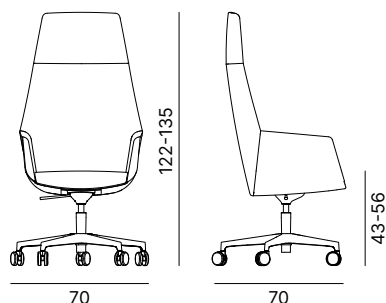
L 700 H 1220-1350 D 700

seat

L 470 H 430-560 D 480

backrest

L 500 H 820



WEIGHT

Net weight a chair: 15 Kg

Gross weight a chair: 19 Kg

PACKAGING

1 x completely assembled box

L 710 H 710 D 1119

VOLUME

M3 package: 0,6

DUNE

MID BACK VISITOR CHAIR



Code ODUNEV01

DESCRIPTION

Mid back visitor armchair

NOTE

Lift with self-alignment device (optional)

SPECIFICATIONS

STRUCTURE

Steel rod and plate

MECHANISM

MEC01 - Aluminum block

MEC19- Aluminum harmonic system painted black - Made in Italy

PADDING

Seat: Sectioned polyurethane foam - thickness 50 mm, density 40 Kg/m3 indeformabile

Backrest: injection molded polyurethane foam padding - thickness ranging from 30 to 60 mm , ds 60 Kg/m3

SHELL AND ARMS

Injection molded polyurethane foam ds50kg/m3

LEGS / FRAME / BASE

4-star in Polished die-cast aluminum base 700mm; chrome steel flat base (optional)

UPHOLSTERY

Categories B01-B03-C01-C05-D02-D03-D04-D06-E01-E02-P01

(see "FINISHING COLLECTION" folder)

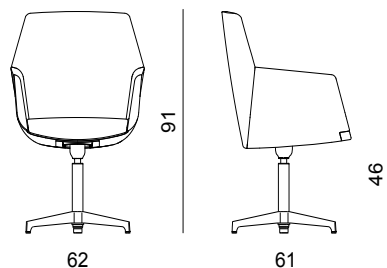
SIZE

Dimensions in millimeters

chair
L 620 H 910 D 590

seat
L 470 H 460 D 480

backrest
L 500 H 460



WEIGHT

Net weight a chair: 12 Kg
Gross weight a chair: 15 Kg

PACKAGING

1 x completely assembled box
L 710 H 710 D 1000

VOLUME

M3 package: 0,5

DUNE

HIGH BACK VISITOR CHAIR



Code ODUNEV02

DESCRIPTION

High back visitor armchair

NOTE

Lift with self-alignment device (optional)

SPECIFICATIONS

STRUCTURE

Steel rod and plate

MECHANISM

MEC01 - Aluminum block

MEC19- Aluminum harmonic system painted black - Made in Italy

PADDING

Seat: Sectioned polyurethane foam - thickness 50 mm, density 40 Kg/m3 indeformabile

Backrest: injection molded polyurethane foam padding - thickness ranging from 30 to 60 mm , ds 60 Kg/m3

SHELL AND ARMS

Injection molded polyurethane foam ds50kg/m3

LEGS / FRAME / BASE

4-star in Polished die-cast aluminum base 700mm; chrome steel flat base (optional)

UPHOLSTERY

Categories B01-B03-C01-C05-D02-D03-D04-D06-E01-E02-P01

(see "FINISHING COLLECTION" folder)

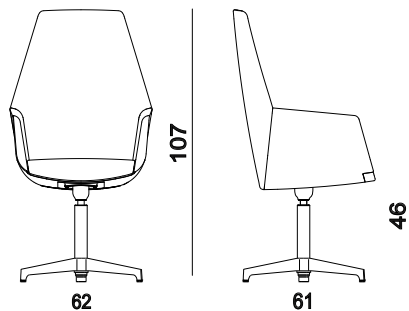
SIZE

Dimensions in millimeters

chair
L 620 H 1070 D 590

seat
L 470 H 460 D 480

backrest
L 500 H 620



WEIGHT

Net weight a chair: 13 Kg
Gross weight a chair: 16 Kg

PACKAGING

1 x completely assembled box
L 710 H 710 D 1190

VOLUME

M3 package: 0,59